

amt ALLMATIC PRECISION 125/160 MACHINE VICE

Scope of application

- Conventional and CNC controlled milling machines - for efficient precision machining
- Horizontal installation - great variability and flexibility

Product features

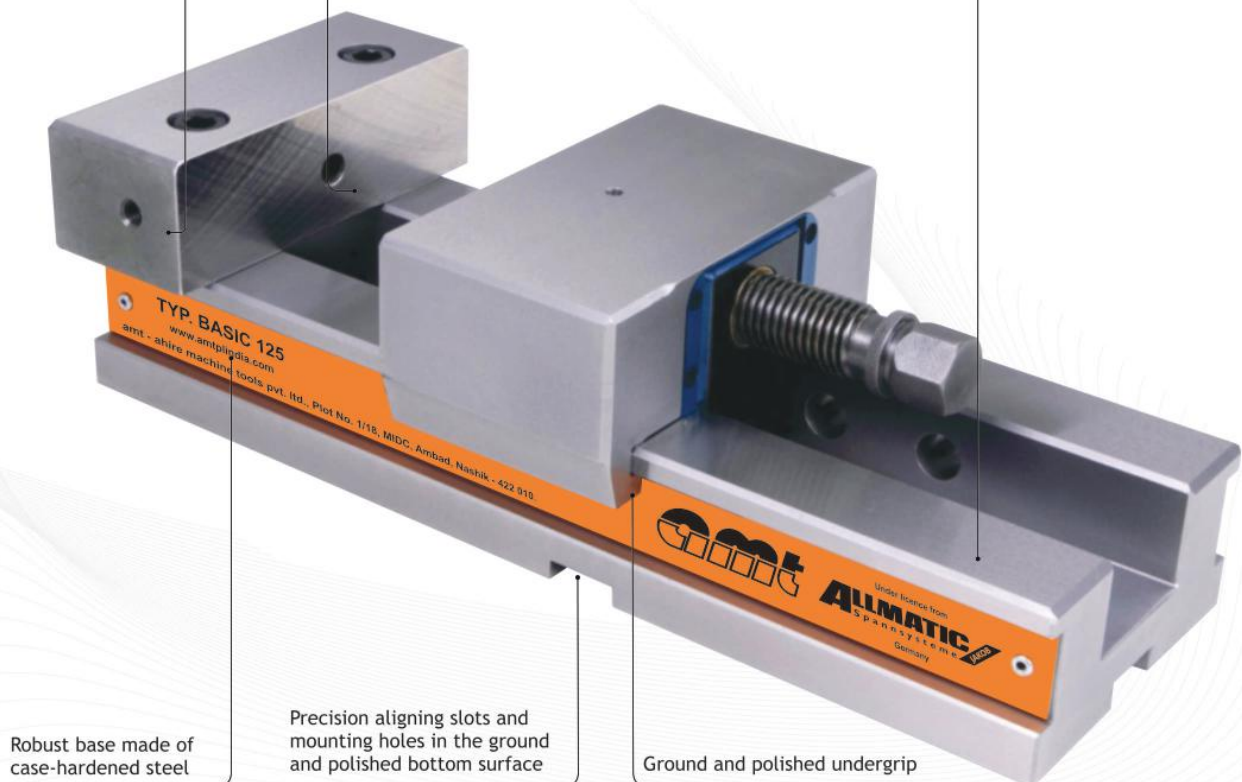
- Excellent ease of operation guarantees optimal handling for every application
- Fast adjustment for clamping range presetting
- Operation with the ring wrench supplied
- Reproducible clamping forces are achieved using a torque wrench
- Integrated scrapers ensure functional reliability and minimise cleaning
- Fixing on the machine table by means of mounting holes in the vice base. Additional holes can be made in the soft middle section of the vice base
- Optional centre jaw allows two or more workpieces to be clamped



M8 thread for workpiece stop

M10 thread for mounting Jaws

Hardened, ground and polished guideway



Robust base made of case-hardened steel

Precision aligning slots and mounting holes in the ground and polished bottom surface

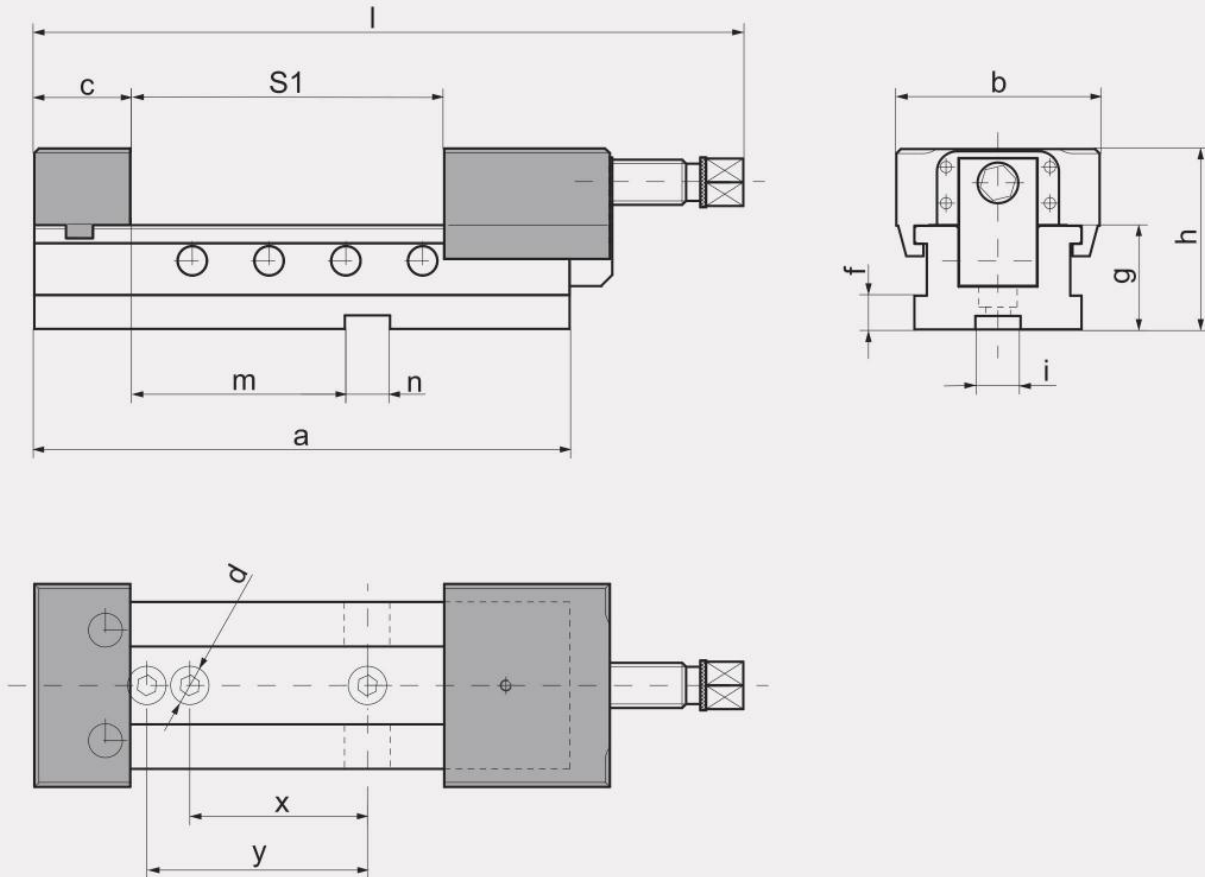
Ground and polished undergrip



Optional: mounting holes in the bottom surface for zero-point clamping systems are possible



Technical data



Variant		Basic 125	Basic 160
Dimensions / tolerances in mm	a	310	405
	b	124	160
	c	50	66
	d	13	13
	f	15	15
	g	48	56
	h	87.5	105.5
	i	20	20
	l max	426	483
	m	120	128
	n	20	20
	x	100	100
	y	125	125

Variant	Basic 125	Basic 160
Clamping range S1 in mm	0 - 208	0 - 283
Torque in Nm	85	120
Max. clamping force in kN	35	50
Weight in kg	13.5	26

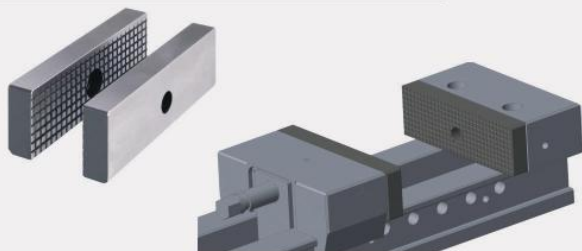
Size : 125mm & 160mm

Scope of supply :

- 1 Precision vice with clamping jaws
- 1 T - Type Allen key
- 1 Ring wrench
- 4 Side clamp

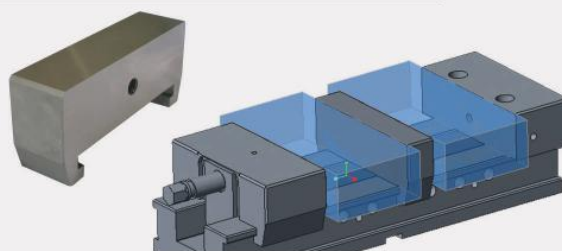
amt ALLMATIC PRECISION MACHINE VICE - ACCESSORIES

Serrated Jaws (Set)



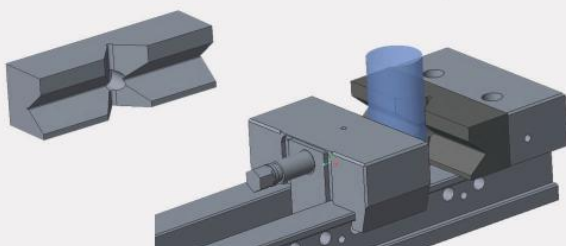
- Standard jaws with serration
- To increase the specific contact pressure per unit area (for hardened material)

Intermediate Jaws



- For clamping two or more workpieces
- Installation between fixed and movable jaws of the vice

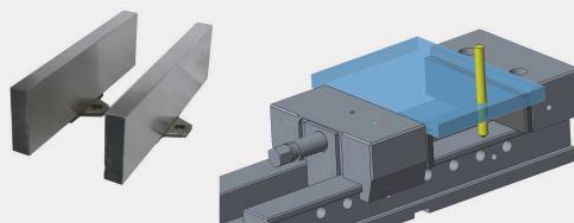
Prismatic Jaws (Set)



- Jaws for clamping round parts
Vertically and Horizontally

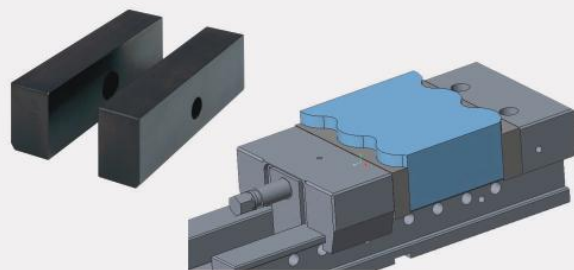
	125	160
Horizontal	dia 12 - 28	dia 15 - 40
Vertical	dia 18 - 55	dia 22 - 65

Click Parallel (Set)



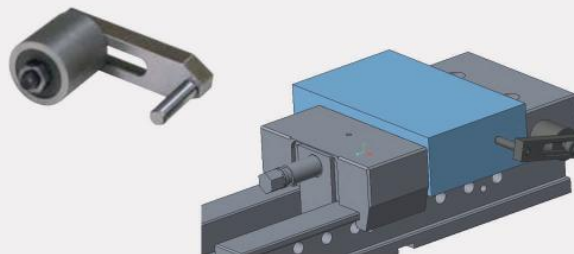
- For parallel raising of workpieces
- Parallels with Click system
- Hardened, ground & polished parallel.

Soft Jaw (Set)



- For production of special jaws by the customer for Profile or irregular Shape workpiece
- Case-hardened steel 20MnCr5 material

Workpiece Stop



- Can be mounted on either side of the vice in the designated positions
- Position of the third workpiece axis can be preset and clamped
- Can be pre-mounted with various fixed dimensions.

*Please order Accessories separately